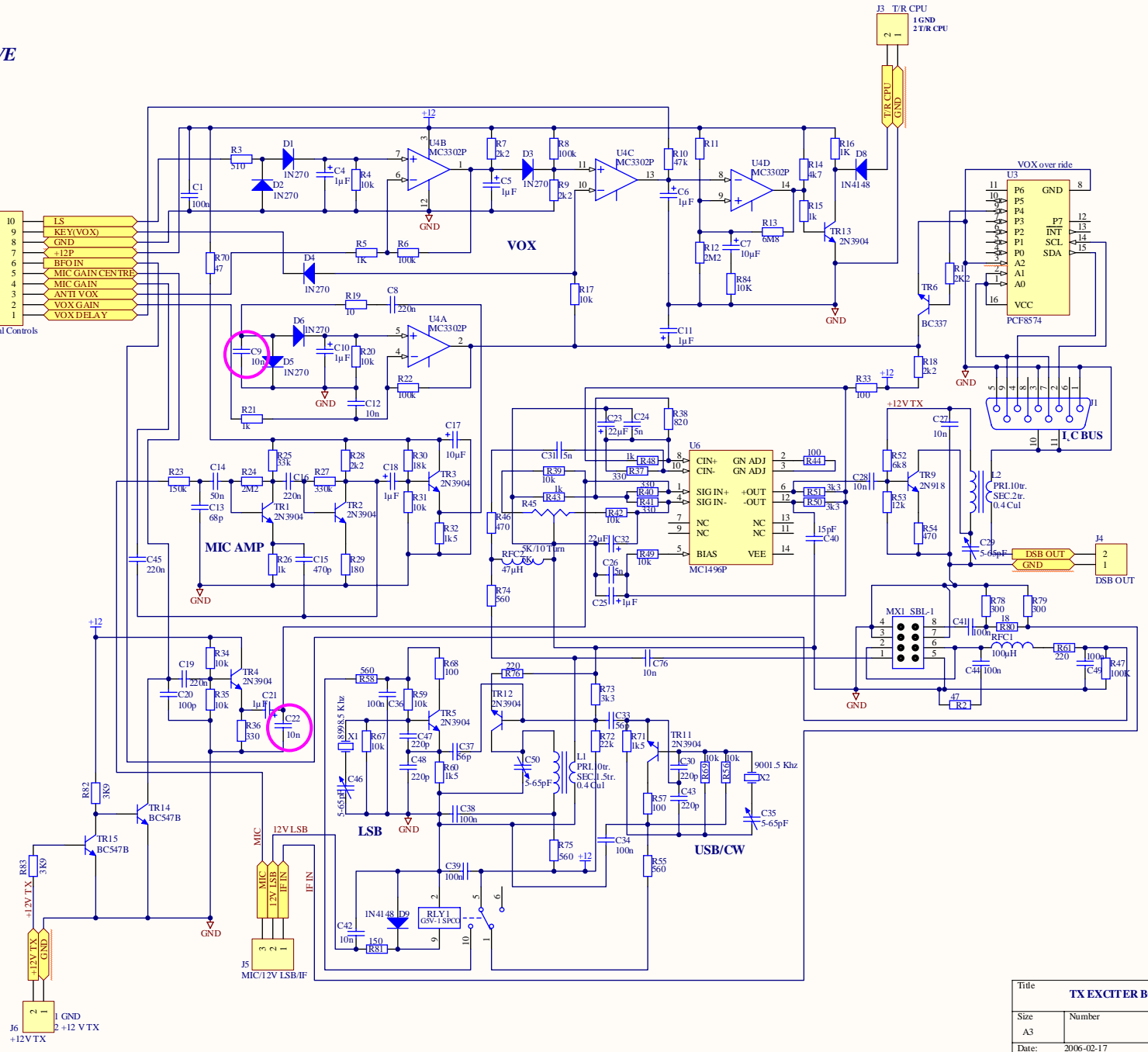
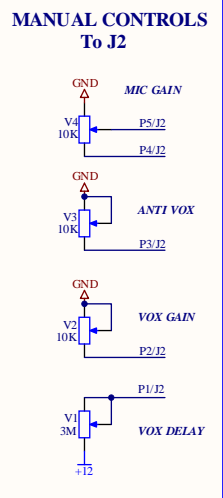
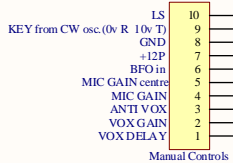


**REMOVE**



Title			
<b>TX EXCITER BOARD</b>			
Size	Number	Revision	
A3			
Date:	2006-02-17	Sheet of	
File:	D:\PCB\TX Exciter.Sch.Doc	Drawn By:	